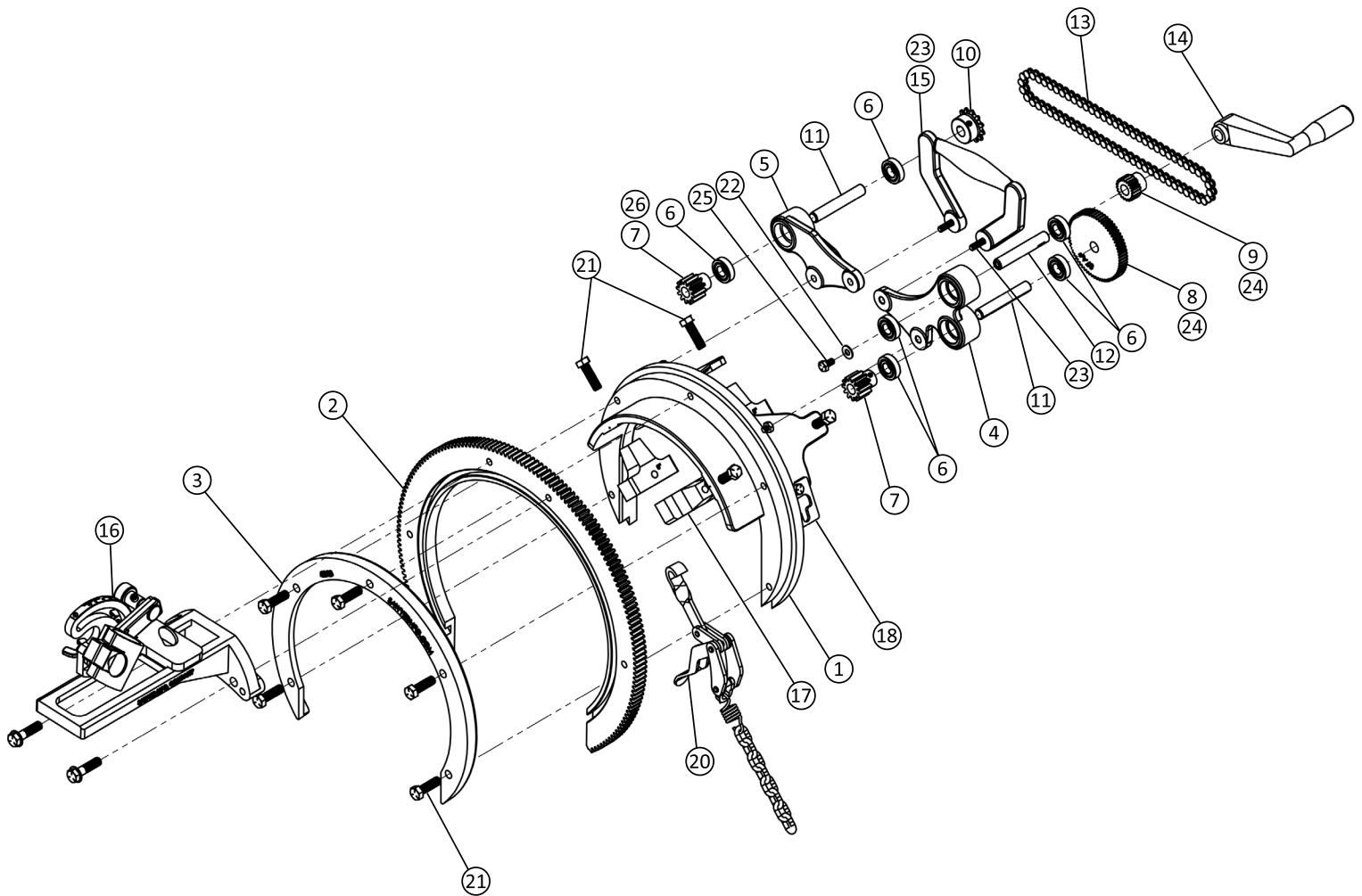


Sawyer Saddle Machine Parts List



No.	Part Name	Part No.	Qty.
1	Saddle #1	11BM	1
2	Ring Gear #1	37AR	1
3	Retainer #1	46AB	1
4	Crank Handle Bracket	42BQ	1
5	Single Shaft Bracket	42BP	1
6	Bearing	505-29	6
7	Pinion Gear	37AQ	2
8	Gear - Crank Driver	37AP	1
9	Spur Gear - Handle	37AT	1
10	Sprocket	37AS	1
11	Shaft - Crank Driver and Sprocket	29EG	2
12	Shaft - Handle	29EH	1
13	Drive Chain #0- #1	73T	1

No.	Part Name	Part No.	Qty.
14	Crank Handle	33AL	1
15	Handle	33AK	1
16	Classic Torch Holder	4KB	1
17	Spacer - #1 SSM	30CS-1	4
18	Boomer Chain Retainer	113AA	1
19	Boomer Eye <i>(not shown)</i>	59B	1
20	Boomer Assembly #1	4WK-1	1
21	Hex Head Bolt	519-121	9
22	Flat Washer	502-30	1
23	Bolt, HHCS	519-128	2
24	Hex Head Bolt	519-120	2
25	Hex Bolt	519-119	3
26	Set Screw, Cup Point	515-135	6
27	Set Screw, Cone Point	515-80	3

Follow us on social media and watch product videos on our YouTube channel **Sawyer Mfg**