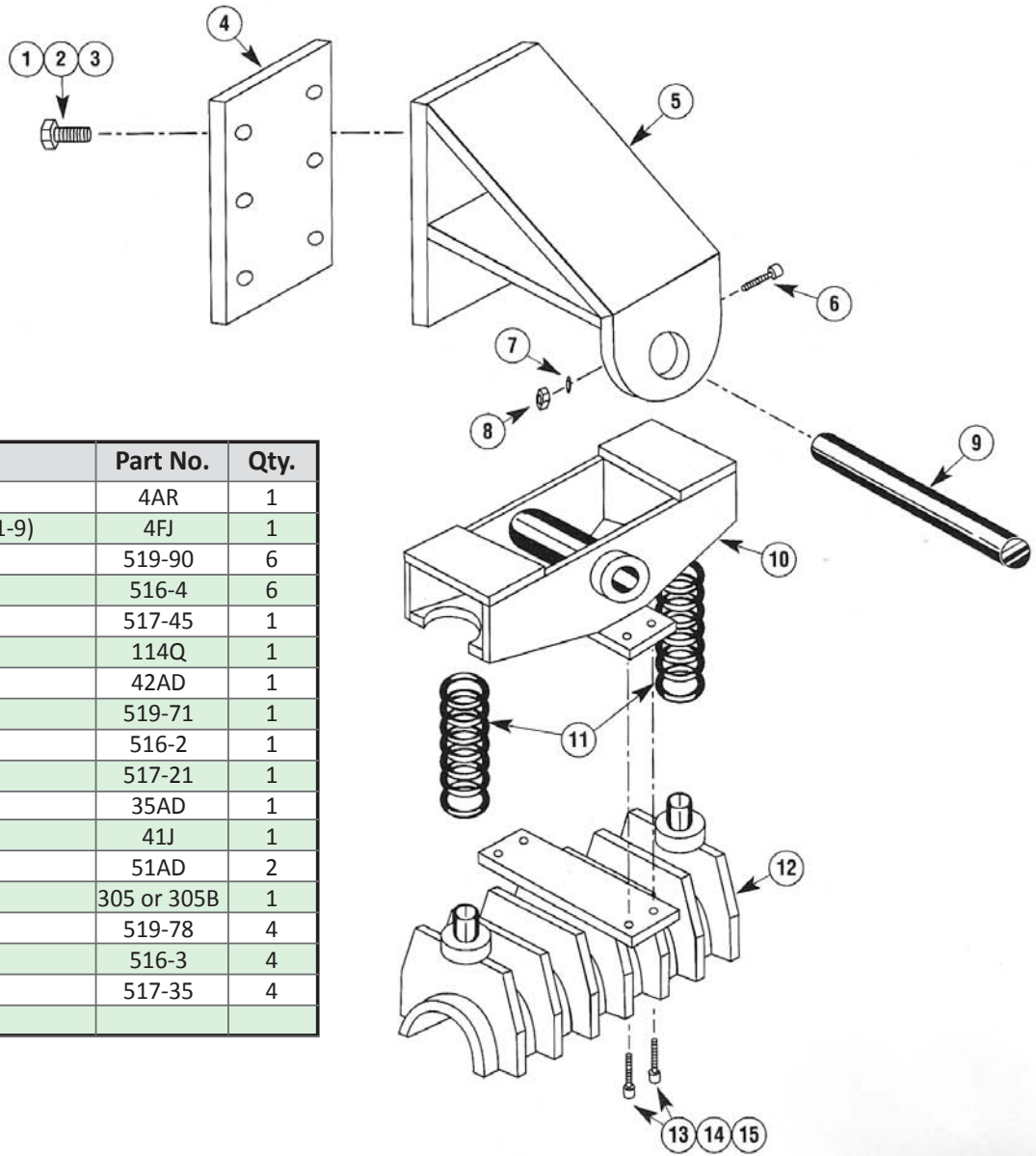


Parts List

Mounting Bracket and Adapter Assembly
for Model 305 (unpadded) and 305B (padded)
Tractor Bending Shoe



No.	Part Name	Part No.	Qty.
Complete (includes 1-15 less 12)		4AR	1
Mounting Bracket Assy (includes 1-9)		4FJ	1
1	Bolt	519-90	6
2	Lock Washer	516-4	6
3	Nut	517-45	1
4	Mounting Plate	114Q	1
5	Mounting Bracket	42AD	1
6	Bolt	519-71	1
7	Lock Washer	516-2	1
8	Nut	517-21	1
9	Pin	35AD	1
10	Adapter	41J	1
11	Spring - pair	51AD	2
12	Bending Shoe	305 or 305B	1
13	Bolt	519-78	4
14	Lock washer	516-3	4
15	Nut	517-35	4



SAWYER MFG COMPANY

7799 S Regency Drive • Tulsa, OK 74131
P (918) 834-2550 • F (918) 834-0318